

TRACK

SIZE: OPEN MEDIUM TIGHT

TRACTION: HIGH MEDIUM LOW

TYPE: SMOOTH MEDIUM BUMPY
 TECHNICAL SLOW FAST

CONDITION: DRY DUSTY WET MUD

TEMPERATURE: AIR: _____ TRACK: _____

DIFFERENTIALS

FRONT	CENTER	REAR
<input type="checkbox"/>	<input type="checkbox"/>	<input type="checkbox"/>

SHOCK SPRINGS

FRONT	REAR
<input type="checkbox"/>	<input type="checkbox"/>
<input type="checkbox"/>	<input type="checkbox"/>
<input type="checkbox"/>	<input type="checkbox"/>

OIL VISCOSITY

FRONT	REAR
<input type="checkbox"/>	<input type="checkbox"/>

PISTON HOLE SIZES

FRONT	REAR
3x <input type="text"/> mm	3x <input type="text"/> mm
4x <input type="text"/> mm	4x <input type="text"/> mm
5x <input type="text"/> mm	5x <input type="text"/> mm

ACKERMAN **BODY**

ANTI-ROLL BAR

FRONT	THICKNESS	REAR
<input type="text"/>	<input type="text"/>	<input type="text"/>

TRANSMISSION RATIO

1:

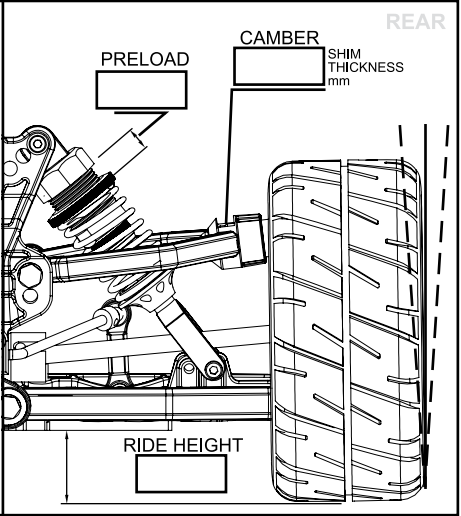
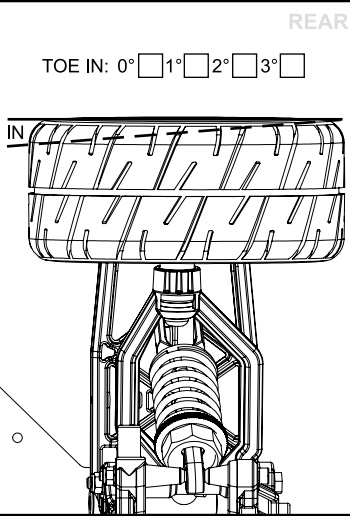
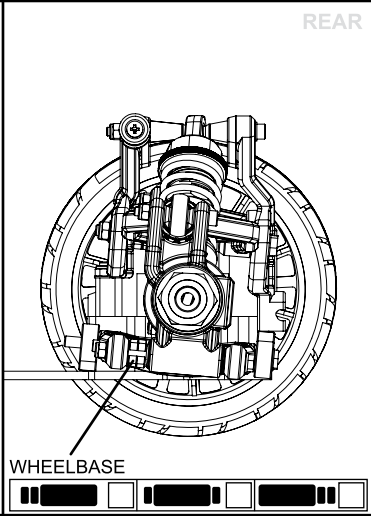
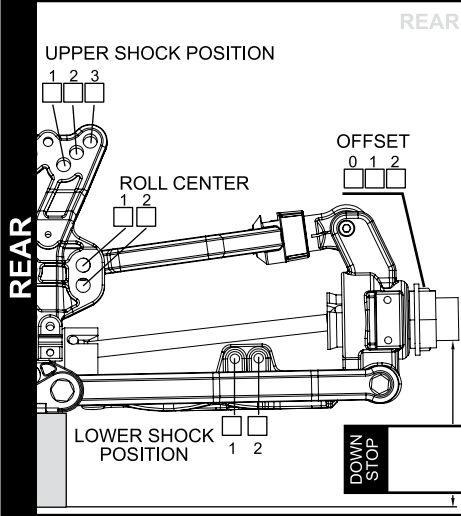
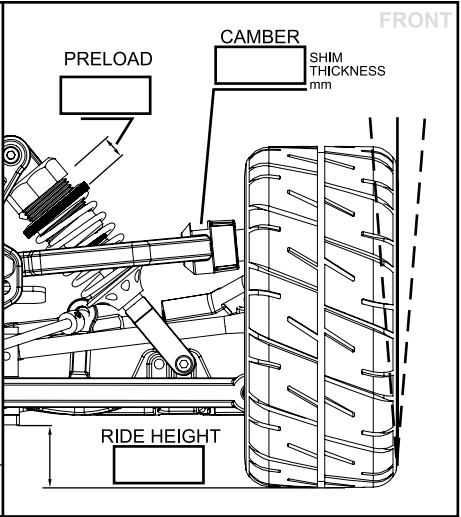
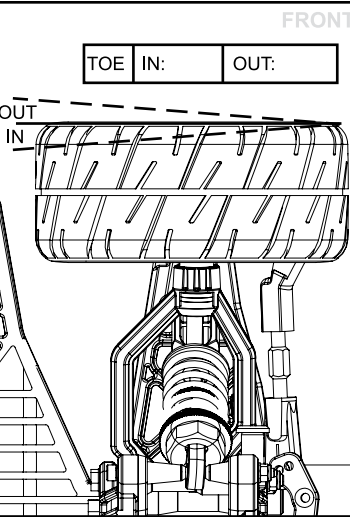
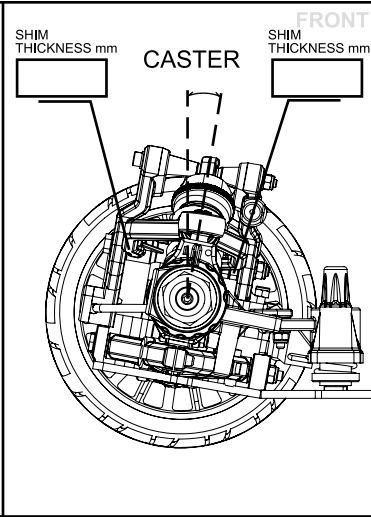
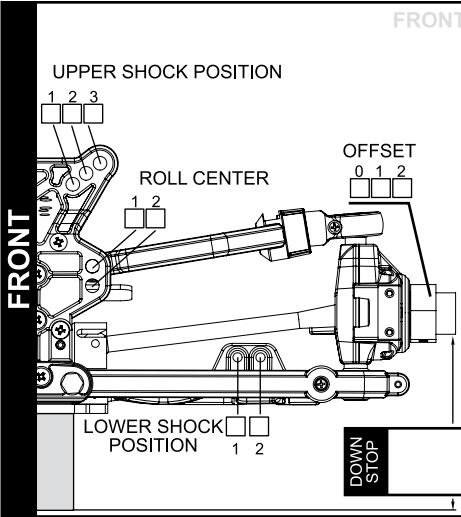
Ratio	A	B	C	D
4.90	37	26	25	24
5.06	30	33	30	19
5.14	35	28	26	23
5.32	37	26	24	25
5.58	35	28	25	24
5.76	28	35	30	19
5.77	37	26	23	26
5.85	33	30	26	23
6.06	35	28	24	25
6.23	32	31	26	23
6.34	33	30	25	24
6.55	26	37	30	19
6.57	35	28	23	26
6.64	31	32	26	23
6.76	32	31	25	24
6.88	33	30	24	25
7.07	30	33	26	23
7.20	31	32	25	24
7.34	32	31	24	25
7.47	33	30	23	26
7.68	30	33	25	24
7.82	31	32	24	25
7.96	32	31	23	26
8.04	28	35	26	23
8.07	37	26	19	30
8.33	30	33	24	25
8.48	31	32	23	26
8.72	28	35	25	24

A:
 B:
 C:
 D:

NAME: _____

RACE: _____ DATE:/...../.....

X4 SET-UP SHEET



TYRES

ROSSA® F R

MICRO-STUD® F R

BLOCK-STUD® F R

OTHER: _____

COMPOUND F R

INSERT F R

Ø 145mm

POWER UNIT

ENGINE: _____

CARBURATOR: _____

H L

PLUG: _____

OIL: _____

CLUTCH: _____

PIPE: _____

POSITION: _____ BEST LAP: _____

NOTES
